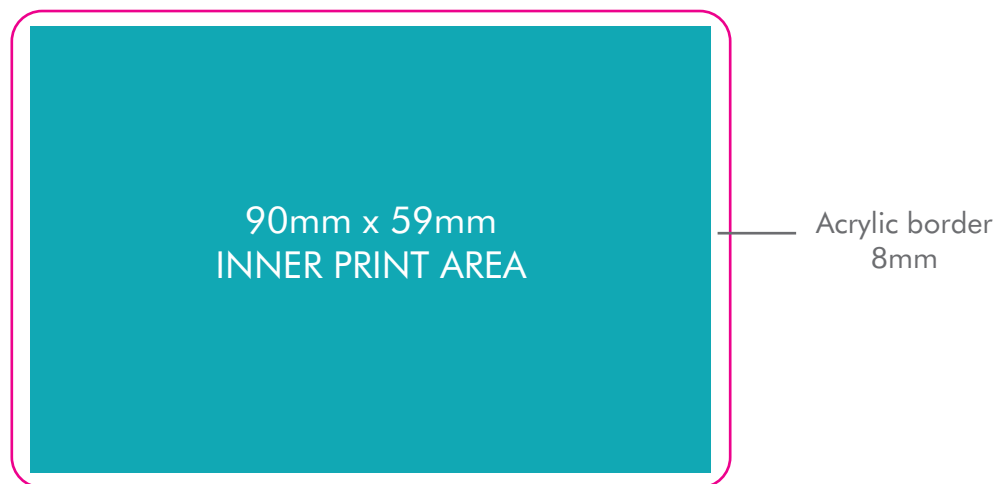
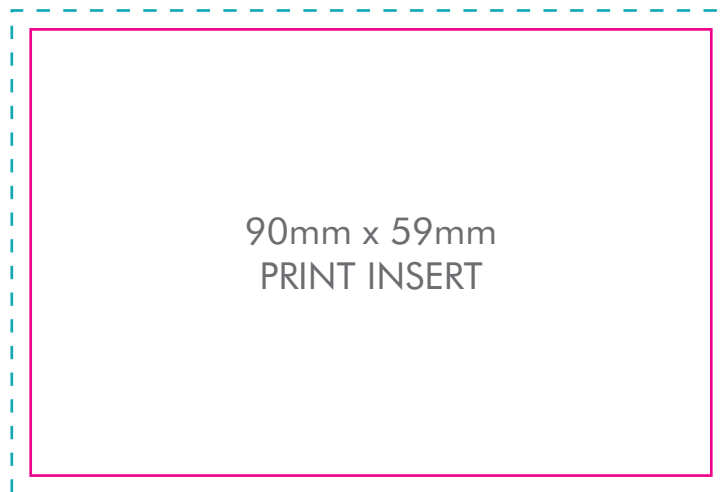


## Template for ACRYLIC INSERT MAGNET

95mm x 63mm



### Guides

————— Product edge

- - - - - Bleed Guide - please allow 5mm of bleed when an image goes to the edge of the product

Please Note: When supplying your artwork, please make sure this template is on a separate layer.